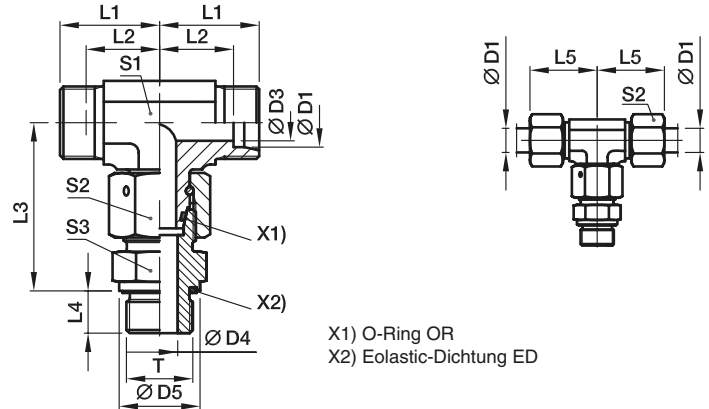


**ET-M-ED Einstellbarer T-Stutzen mit Dichtkegel**

EO 24° Anschluss / Metr. Einschraubzapfen – ED (ISO 9974)



| Bau-Reihe       | D1 | T        | D3 | D4 | D5 | L1 | L2   | L3   | L4 | L5 | S1 | S2 | S3 | Gewicht g/1 St. | Bestellzeichen* | PN (bar) <sup>1)</sup> |     |
|-----------------|----|----------|----|----|----|----|------|------|----|----|----|----|----|-----------------|-----------------|------------------------|-----|
|                 |    |          |    |    |    |    |      |      |    |    |    |    |    |                 |                 | CF                     | 71  |
| L <sup>3)</sup> | 06 | M 10x1,0 | 4  | 4  | 14 | 19 | 12,0 | 34,5 | 8  | 27 | 12 | 14 | 14 | 55              | ET06LMEDOMD     | 500                    | 315 |
|                 | 08 | M 12x1,5 | 6  | 6  | 17 | 21 | 14,0 | 37,5 | 12 | 29 | 12 | 17 | 17 | 75              | ET08LMEDOMD     | 500                    | 315 |
|                 | 10 | M 14x1,5 | 8  | 7  | 19 | 22 | 15,0 | 40,0 | 12 | 30 | 14 | 19 | 19 | 98              | ET10LMEDOMD     | 500                    | 315 |
|                 | 12 | M 16x1,5 | 10 | 9  | 22 | 24 | 17,0 | 42,0 | 12 | 32 | 17 | 22 | 22 | 135             | ET12LMEDOMD     | 400                    | 315 |
|                 | 15 | M 18x1,5 | 12 | 11 | 24 | 28 | 21,0 | 46,0 | 12 | 36 | 19 | 27 | 24 | 203             | ET15LMEDOMD     | 400                    | 315 |
|                 | 18 | M 22x1,5 | 15 | 14 | 27 | 31 | 23,5 | 50,0 | 14 | 40 | 24 | 32 | 27 | 310             | ET18LMEDOMD     | 400                    | 315 |
|                 | 22 | M 26x1,5 | 19 | 18 | 32 | 35 | 27,5 | 55,0 | 16 | 44 | 27 | 36 | 32 | 377             | ET22LMEDOMD     | 250                    | 160 |
|                 | 28 | M 33x2,0 | 24 | 23 | 40 | 38 | 30,5 | 59,0 | 18 | 47 | 36 | 41 | 41 | 607             | ET28LMEDOMD     | 250                    | 160 |
|                 | 35 | M 42x2,0 | 30 | 30 | 50 | 45 | 34,5 | 68,5 | 20 | 56 | 41 | 50 | 50 | 929             | ET35LMEDOMD     | 250                    | 160 |
|                 | 42 | M 48x2,0 | 36 | 36 | 55 | 51 | 40,0 | 75,0 | 22 | 63 | 50 | 60 | 55 | 1478            | ET42LMEDOMD     | 250                    | 160 |
| S <sup>4)</sup> | 06 | M 12x1,5 | 4  | 4  | 17 | 23 | 16,0 | 40,0 | 12 | 31 | 12 | 17 | 17 | 92              | ET06SMEDOMD     | 800                    | 630 |
|                 | 08 | M 14x1,5 | 5  | 5  | 19 | 24 | 17,0 | 42,5 | 12 | 32 | 14 | 19 | 19 | 126             | ET08SMEDOMD     | 800                    | 630 |
|                 | 10 | M 16x1,5 | 6  | 7  | 22 | 25 | 17,5 | 45,0 | 12 | 34 | 17 | 22 | 22 | 167             | ET10SMEDOMD     | 800                    | 630 |
|                 | 12 | M 18x1,5 | 8  | 8  | 24 | 29 | 21,5 | 48,0 | 12 | 38 | 17 | 24 | 24 | 207             | ET12SMEDOMD     | 630                    | 630 |
|                 | 14 | M 20x1,5 | 9  | 10 | 26 | 30 | 22,0 | 54,0 | 14 | 40 | 19 | 27 | 27 | 287             | ET14SMEDOMD     | 630                    | 630 |
|                 | 16 | M 22x1,5 | 12 | 12 | 27 | 33 | 24,5 | 55,0 | 14 | 43 | 24 | 30 | 27 | 352             | ET16SMEDOMD     | 630                    | 400 |
|                 | 20 | M 27x2,0 | 16 | 16 | 32 | 37 | 26,5 | 65,0 | 16 | 48 | 27 | 36 | 32 | 498             | ET20SMEDOMD     | 420                    | 400 |
|                 | 25 | M 33x2,0 | 20 | 20 | 40 | 42 | 30,0 | 73,0 | 18 | 54 | 36 | 46 | 41 | 916             | ET25SMEDOMD     | 420                    | 400 |
|                 | 30 | M 42x2,0 | 25 | 25 | 50 | 49 | 35,5 | 78,5 | 20 | 62 | 41 | 50 | 50 | 1328            | ET30SMEDOMD     | 420                    | 400 |
|                 | 38 | M 48x2,0 | 32 | 32 | 55 | 57 | 41,0 | 89,0 | 22 | 72 | 50 | 60 | 55 | 2031            | ET38SMEDOMD     | 420                    | 315 |

<sup>1)</sup> Druckwert genannt = Artikel lieferbar

<sup>3)</sup> L = Leichte Baureihe; <sup>4)</sup> S = Schwere Baureihe

$$\frac{PN \text{ (bar)}}{10} = PN \text{ (MPa)}$$

\*Ergänzen Sie bitte die Bestellzeichen mit den **Kennbuchstaben** für das gewünschte Material.

| Bestellzeichen-Ergänzungen   |                                        |               |                                                                          |
|------------------------------|----------------------------------------|---------------|--------------------------------------------------------------------------|
| Material                     | Kennbuchstaben Oberfläche und Material | Beispiel      | Standard-Dichtungswerkstoff (keine zusätzl. Kennbuchstaben erforderlich) |
| Stahl, verzinkt, Cr(VI)-frei | CF                                     | ET16SMEDOMDCF | NBR                                                                      |
| Edelstahl                    | 71                                     | ET16SMEDOMD71 | VIT                                                                      |