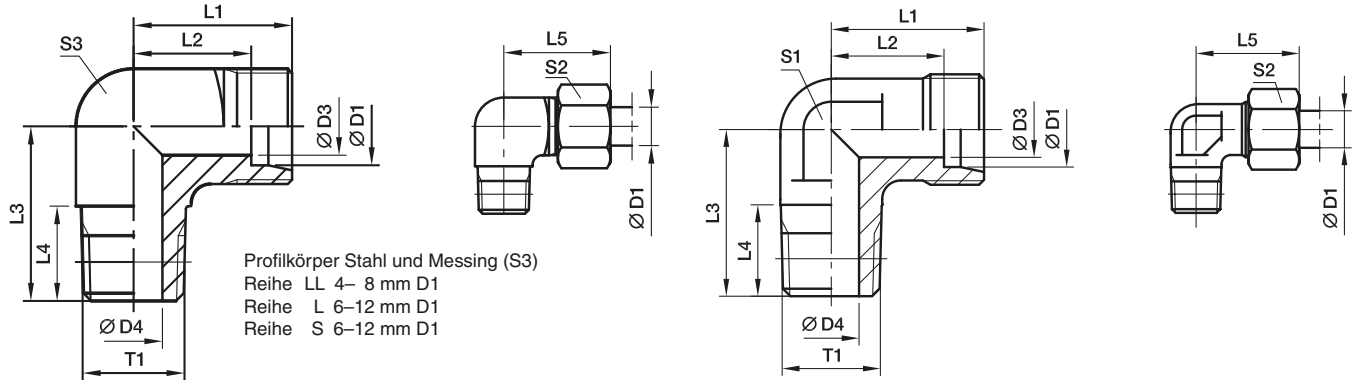


WE-NPT Winkel-Einschraubstutzen

EO 24° Anschluss / NPT Einschraubzapfen (SAE J476)



Bau-Reihe	D1	T1	D3	D4	L1	L2	L3	L4	L5	S1	S2	S3	Gewicht g/1 St.	Bestellzeichen*	PN (bar) ¹⁾			
															CF	71	MS	
LL ²⁾	04	1/8-27 NPT	3,0	4,0	15	11,0	17	10,0	21	9	10	11	18	WE04LL1/8NPT	100			
	06	1/8-27 NPT	4,5	4,5	15	9,5	17	10,0	21	9	12	11	17	WE06LL1/8NPT	100			
	08	1/8-27 NPT	6,0	5,0	17	11,5	20	10,0	23	12	14	12	25	WE08LL1/8NPT	100			
L ³⁾	06	1/8-27 NPT	4,0	4,0	19	12,0	20	10,0	27	12	14	12	29	WE06L1/8NPT	315	315	200	
	06	1/4-18 NPT	4,0	7,0	21	14,0	26	14,5	29	12	14	14	44	WE06L1/4NPT	315	315	200	
	06	3/8-18 NPT	4,0	8,0	25	18,0	28	14,5	33	17	14	19	55	WE06L3/8NPT	315	315	200	
	08	1/8-27 NPT	6,0	4,0	21	14,0	26	10,0	29	12	17	14	48	WE08L1/8NPT	315	315	200	
	08	1/4-18 NPT	6,0	6,0	21	14,0	26	14,5	29	12	17	14	47	WE08L1/4NPT	315	315	200	
	10	1/4-18 NPT	8,0	7,0	22	15,0	27	14,5	30	14	19	17	61	WE10L1/4NPT	315	315	200	
	10	3/8-18 NPT	8,0	8,0	24	17,0	28	14,5	32	17	19	19	92	WE10L3/8NPT	315	315	200	
	12	1/4-18 NPT	10,0	7,0	24	17,0	28	14,5	32	17	22	19	82	WE12L1/4NPT	315	315	200	
	12	3/8-18 NPT	10,0	8,0	24	17,0	28	14,5	32	17	22	19	92	WE12L3/8NPT	315	315	200	
	12	1/2-14 NPT	10,0	11,0	28	21,0	34	19,5	36	19	22		90	WE12L1/2NPT	315	315	200	
	15	1/2-14 NPT	12,0	11,0	28	21,0	34	19,5	36	19	27		89	WE15L1/2NPT	315	315	200	
	18	1/2-14 NPT	15,0	12,0	31	23,5	36	19,5	40	24	32		150	WE18L1/2NPT	315	315	200	
	22	3/4-14 NPT	19,0	16,0	35	27,5	42	19,5	44	27	36		176	WE22L3/4NPT	160	160	100	
	28	1-11,5 NPT	24,0	21,0	38	30,5	48	24,5	47	36	41		314	WE28L1NPT	160	160	100	
	35	1 1/4-11,5 NPT	30,0	28,0	45	34,5	54	25,0	56	41	50		465	WE35L11/4NPT	160	160	100	
	42	1 1/2-11,5 NPT	36,0	34,0	51	40,0	61	26,0	63	50	60		849	WE42L11/2NPT	160	160	100	
	S ⁴⁾	06	1/4-18 NPT	4,0	4,0	23	16,0	26	14,5	31	12	17	14	56	WE06S1/4NPT	630	630	400
		08	1/4-18 NPT	5,0	5,0	24	17,0	27	14,5	32	14	19	17	73	WE08S1/4NPT	630	630	400
08		3/8-18 NPT	5,0	8,0	25	18,0	28	14,5	33	17	19	19	77	WE08S3/8NPT	630	630	400	
08		1/2-14 NPT	5,0	10,0	30	23,0	34	19,5	38	19	19		75	WE08S1/2NPT	630	630	400	
10		1/4-18 NPT	7,0	5,0	25	17,5	28	14,5	34	17	22	19	96	WE10S1/4NPT	630	630	400	
10		3/8-18 NPT	7,0	7,0	25	17,5	28	14,5	34	17	22	19	98	WE10S3/8NPT	630	630	400	
12		1/4-18 NPT	8,0	5,0	29	21,5	29	14,5	38	17	24	22	73	WE12S1/4NPT	630	630	400	
12		3/8-18 NPT	8,0	8,0	29	22,5	28	14,5	38	17	24	22	123	WE12S3/8NPT	630	630	400	
12		1/2-14 NPT	8,0	10,0	30	22,5	34	19,5	39	19	24		107	WE12S1/2NPT	630	630	400	
14		1/2-14 NPT	10,0	10,0	30	22,0	34	19,5	40	19	27		103	WE14S1/2NPT	630	630	400	
16		1/2-14 NPT	12,0	12,0	33	24,5	36	19,5	43	24	30		157	WE16S1/2NPT	400	400	250	
20		3/4-14 NPT	16,0	16,0	37	26,5	42	19,5	48	27	36		205	WE20S3/4NPT	400	400	250	
25		1-11,5 NPT	20,0	20,0	42	30,0	48	24,5	54	36	46		381	WE25S1NPT	400	400	250	
30		1 1/4-11,5 NPT	25,0	25,0	49	35,5	54	25,0	62	41	50		598	WE30S11/4NPT	400	400	250	
38		1 1/2-11,5 NPT	32,0	32,0	57	41,0	61	26,0	72	50	60		1029	WE38S11/2NPT	315	315	200	

¹⁾ Druckwert genannt = Artikel lieferbar

²⁾ LL = Sehr leichte Baureihe; ³⁾ L = Leichte Baureihe;

⁴⁾ S = Schwere Baureihe

$$\frac{PN \text{ (bar)}}{10} = PN \text{ (MPa)}$$

*Ergänzen Sie bitte die Bestellzeichen mit den Kennbuchstaben für das gewünschte Material.

Bestellzeichen-Ergänzungen		
Material	Kennbuchstaben Oberfläche und Material	Beispiel
Stahl, verzinkt, Cr(VI)-frei	CFX	WE16S1/2NPTCFX
Edelstahl	71X	WE16S1/2NPT71X
Messing	MSX	WE16S1/2NPTMSX