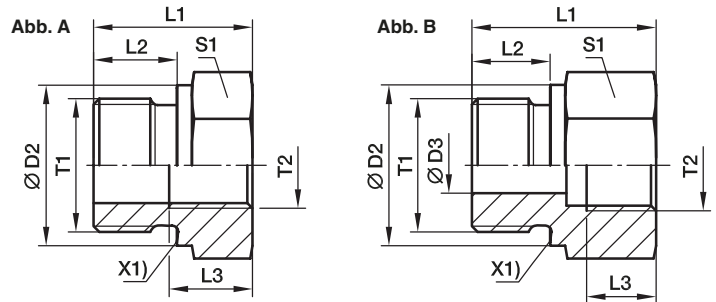


**RI Reduzier-/Erweiterungsstutzen mit Innengewinde**

Zöll. Einschraubzapfen – Dichtkante (ISO 1179) / Zöll. Innengewinde (ISO 1179-1)



X1) Dichtkante

Außen- gewinde T1	Innen- gewinde T2	D2	D3	L1	L2	L3	S1	Fig.	Gewicht g/1 St.	Bestellzeichen*	PN (bar) <sup>1)</sup>		
											CF	71	MS
G 1/8 A	G 1/4	14	4	31,0	8	12,0	19	B	42	RI1/8X1/4	400	400	250
G 1/8 A	G 3/8	14	4	32,0	8	12,0	24	B	63	RI1/8X3/8	400	400	250
G 1/4 A	G 1/8	18	5	28,0	12	8,0	19	B	38	RI1/4X1/8	400	400	250
G 1/4 A	G 3/8	18	5	36,0	12	12,0	24	B	69	RI1/4X3/8	400	400	250
G 1/4A	G 1/2	18	5	40,0	12	14,0	30	B	116	RI1/4X1/2	400	400	250
G 1/4 A	G 3/4	18	5	43,0	12	16,0	36	B	170	RI1/4X3/4	315	315	200
G 3/8 A	G 1/8	22		22,5	12	8,0	22	A	39	RI3/8X1/8	400	400	250
G 3/8 A	G 1/4	22	8	36,0	12	12,0	22	B	68	RI3/8X1/4	400	400	250
G 3/8 A	G 1/2	22	8	41,0	12	14,0	30	B	125	RI3/8X1/2	400	400	250
G 3/8 A	G 3/4	22	8	44,0	12	16,0	36	B	183	RI3/8X3/4	315	315	200
G 1/2 A	G 1/8	26		24,0	14	8,0	27	A	66	RI1/2X1/8	400	400	250
G 1/2 A	G 1/4	26		24,0	14	12,0	27	A	56	RI1/2X1/4	315	315	200
G 1/2 A	G 3/8	26	12	37,0	14	12,0	27	B	94	RI1/2X3/8	315	315	200
G 1/2 A	G 3/4	26	12	46,0	14	16,0	36	B	182	RI1/2X3/4	315	315	200
G 1/2 A	G 1	26	12	49,0	14	18,0	41	B	221	RI1/2X1	315	315	200
G 1/2 A	G 1 1/4	26	10	53,0	14	20,0	55	B	482	RI1/2X11/4	160	160	
G 3/4 A	G 1/4	32		26,0	16	12,0	32	A	103	RI3/4X1/4	315	315	200
G 3/4 A	G 3/8	32		26,0	16	12,0	32	A	87	RI3/4X3/8	315	315	200
G 3/4 A	G 1/2	32	16	40,0	16	14,0	32	B	143	RI3/4X1/2	315	315	200
G 3/4 A	G 1	32	16	51,0	16	18,0	41	B	235	RI3/4X1	315	315	200
G 3/4 A	G 1 1/4	32	16	55,0	16	20,0	55	B	481	RI3/4X11/4	160	160	
G 3/4 A	G 1 1/2	32	16	57,0	16	22,0	60	B	560	RI3/4X11/2	160	160	
G 1 A	G 1/4	39		29,0	18	12,0	41	A	195	RI1X1/4	315	315	
G 1 A	G 3/8	39		29,0	18	12,0	41	A	179	RI1X3/8	315	315	200
G 1 A	G 1/2	39		29,0	18	14,0	41	A	157	RI1X1/2	315	315	200
G 1 A	G 3/4	39	20	47,0	18	16,0	41	B	278	RI1X3/4	315	315	200
G 1 A	G 1 1/4	39	20	57,0	18	20,0	55	B	530	RI1X11/4	160	160	100
G 1 A	G 1 1/2	39	20	59,0	18	22,0	60	B	585	RI1X11/2	160	160	100
G 1 1/4 A	G 1/2	49		32,0	20	14,0	50	A	308	RI11/4X1/2	160	160	100
G 1 1/4 A	G 3/4	49		32,0	20	16,0	50	A	267	RI11/4X3/4	160	160	100
G 1 1/4 A	G 1	49	25	52,0	20	18,0	50	B	458	RI11/4X1	160	160	100
G 1 1/4 A	G 1 1/2	49	25	60,0	20	22,0	60	B	616	RI11/4X11/2	160	160	100
G 1 1/2 A	G 1/2	55		36,0	22	14,0	55	A	477	RI11/2X1/2	160	160	100
G 1 1/2 A	G 3/4	55		36,0	22	16,0	55	A	402	RI11/2X3/4	160	160	100
G 1 1/2 A	G 1	55		36,0	22	18,0	55	A	337	RI11/2X1	160	160	100
G 1 1/2 A	G 1 1/4	55	32	58,0	22	20,0	55	B	542	RI11/2X11/4	160	160	100
G 2 A	G 1 1/2	68	40	62,0	24	22,0	70	B	990	RI2X11/2	160		

1) Druckwert genannt = Artikel lieferbar

$\frac{PN \text{ (bar)}}{10} = PN \text{ (MPa)}$

\*Ergänzen Sie bitte die Bestellzeichen mit den **Kennbuchstaben** für das gewünschte Material.

Bestellzeichen-Ergänzungen		
Material	Kennbuchstaben Oberfläche und Material	Beispiel
Stahl, verzinkt, Cr(VI)-frei	CFX	RI1X1/2CFX
Edelstahl	71X	RI1X1/271X
Messing	MSX	RI1X1/2MSX

